

# 1000 BASE-T MAGNETICS MODULES Full Automation Production

## MODEL NO.: TG24019S1

**FEATURES:**

RoHS Compliant  
Full Automation Production  
Operating Temperature : -40°C to +85°C  
Storage Temperature : -40°C to +85°C  
Complying with IEEE 802.3af standard for 1000 BASE-T. Support 350mA current capability.

**SPECIFICATIONS : @ 25°C**

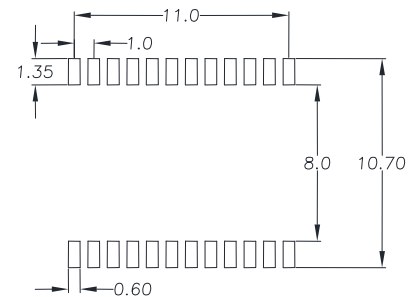
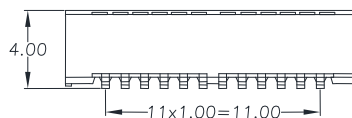
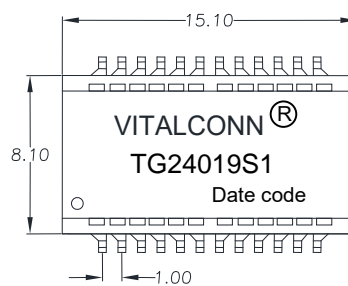
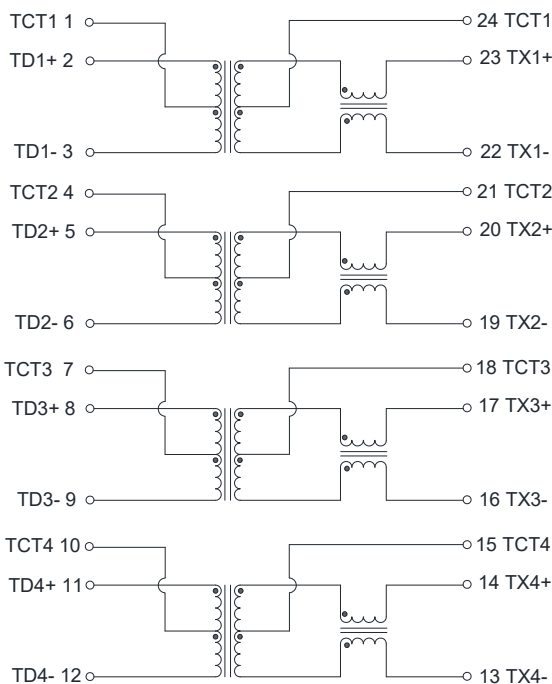
OCL:350 uH min @100KHz,100mV / with 8mA DC bias

Turns Ratio : 1CT : 1CT

Insertion Loss MHz (dB Max)	Return Loss MHz (dB MIN @100Ω)					Differential to Common Mode Rejection MHz (dB MIN)			Cross Talk MHz (dB MIN)			HI POT VAC
	1~30	40	50	60~80	100	30	60	100	30	60	100	
1-100	1~30	40	50	60~80	100	30	60	100	30	60	100	1500
-1.0	-18	-14.4	-13.1	-12	-10	-40	-35	-30	-45	-40	-35	

**SCHEMATICS :**

**DIMENSION: mm ; TOLERANCE:±0.25**

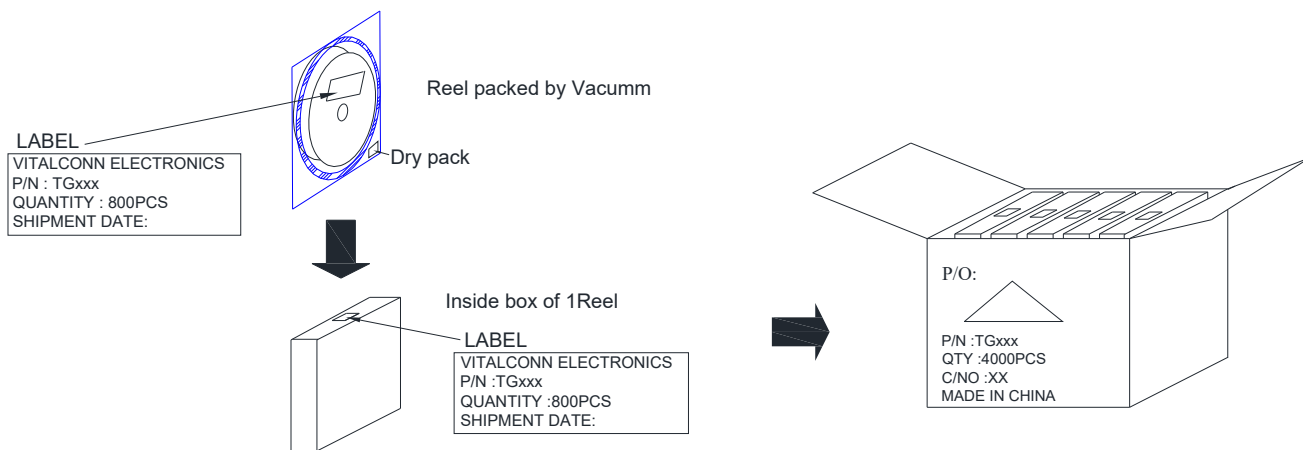
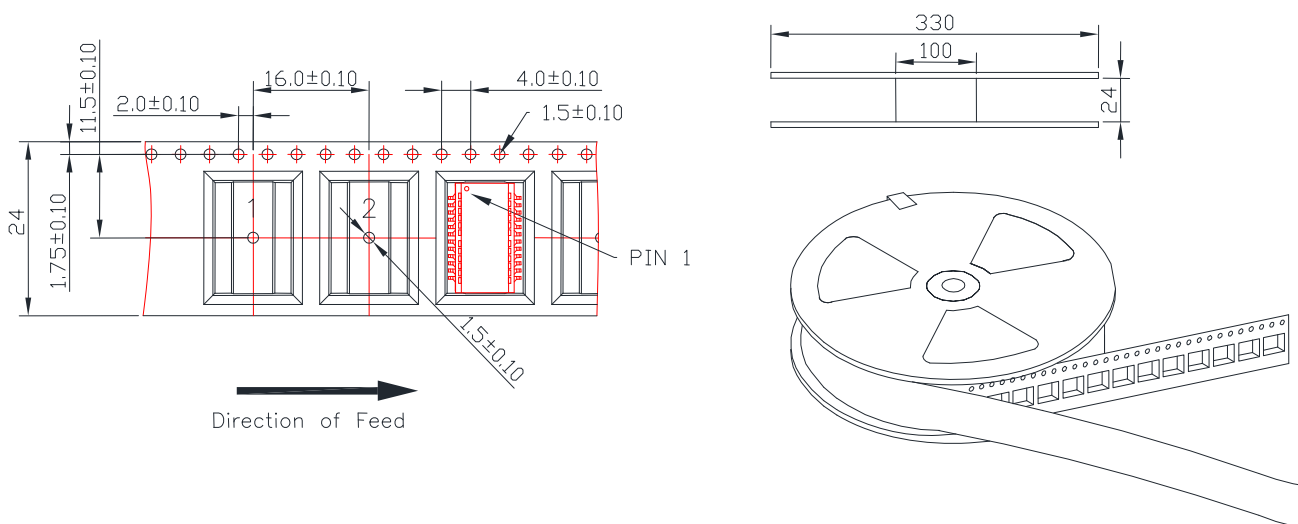


SUGGESTED PAD LAYOUT

## MODEL NO.: TG24019S1

### PACKING

1. Tape & Reel : 800pcs / Reel , 4000pcs / Carton
2. Dry Pack : 1pcs  
 Product Description:(5g Silica Gel Desiccant)  
 PH: 4-8  
 Package Materials: Paper(Length 6.5±1cm , Width 5±1cm)
3. Reel Packed By Vacuum
4. Seal Per JEDEC



Please note that above information is subject to change without notice.  
 For more info please send us an email to [info@vitalconn.com](mailto:info@vitalconn.com) or visit us at [www.vitalconn.com](http://www.vitalconn.com)

勇於創新，志在連接  
 Your vital connector partner!