



7		8	
REV:	ECN. NO.	NAME	DATE

A

B

C

D

E

F

A

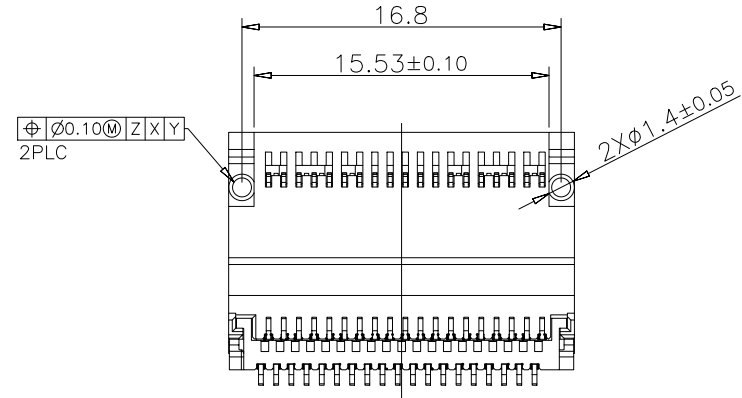
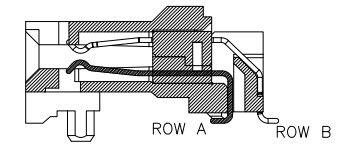
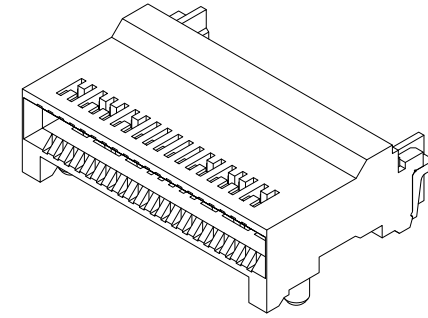
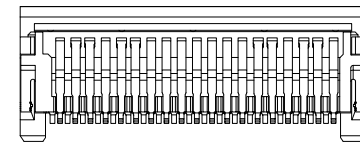
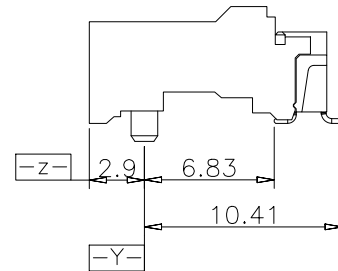
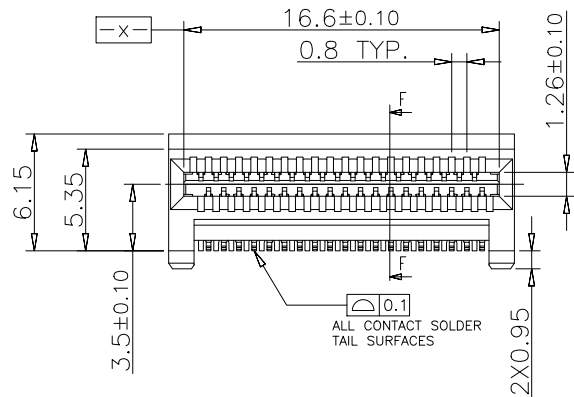
B

C

D

E

F



NOTE:

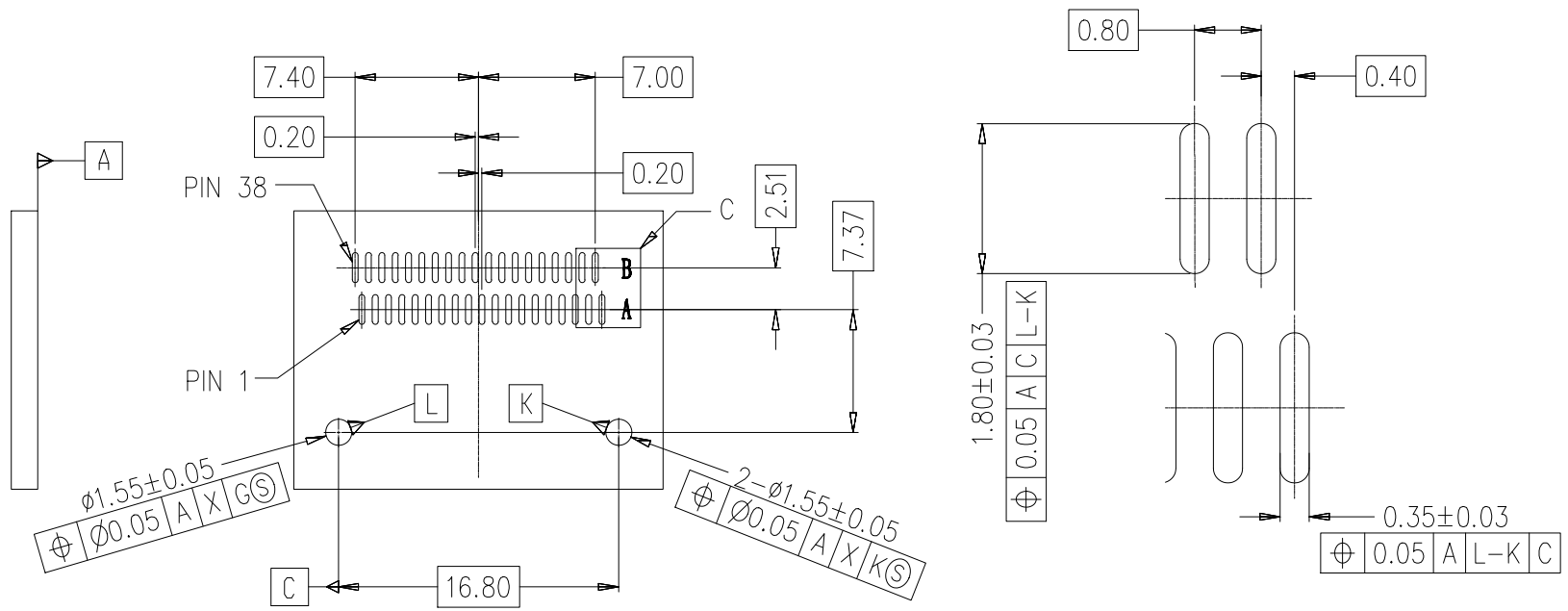
- 1.Material:
HOUSING: HIGH TEMPERATURE LCP,BLACK,UL 94 V-0 FLAME RETARDANT.
- 2.TERMINAL:NICKEL COPPER ALLOY
- 3.CONTACT AREA PLATE NICKEL 50µ" MIN,PLATE GOLD 15µ" MIN SOLDER AREA PLATE NICKEL 50µ" MIN,PLATE MATT TIN 60-180µ"
- 4.ELECTRICAL CHARACTERISTICS
CONTACT CURRENT RATING :0.5AMPERE
VOLTAGE RATING 30VAC
CONTACT RESISTACE:50 MILLOHMS MAX
DIELECTRIC WITHSTANDING VOLTAGE:300VDC
- 5.ENVIRONMEENT
OPERATION TEMPERATURE:-40°C TO 85°C

GENERAL TOLERANCE .X±0.30 .X±1° .XX±0.20 .XX±5° .XXX±0.10		VITALCON a vital connector company		FOR YOUR VITAL CONNECTION	
DRAWN BY: Zou Long		TITLE: QSFP+28G 1X1 CONNECTOR		PART NO: S5C21H0A00BA4	
CHECKED BY: Bob		UNIT:mm		REV: A	
APPROVED BY: QPF		PROJECTION		SHEET:1 OF 5 FCN: A4	
For technical support, please send an email to support@vitalconn.com				http://www.vitalconn.com	

For technical support, please send an email to support@vitalconn.com



7		8	
REV:	ECN. NO.	NAME	DATE



RECOMMENDED PCB DIMENSION TOLERANCE±0.05

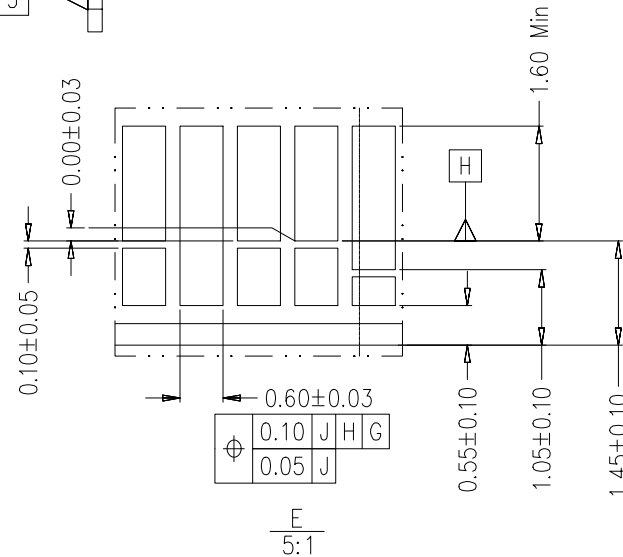
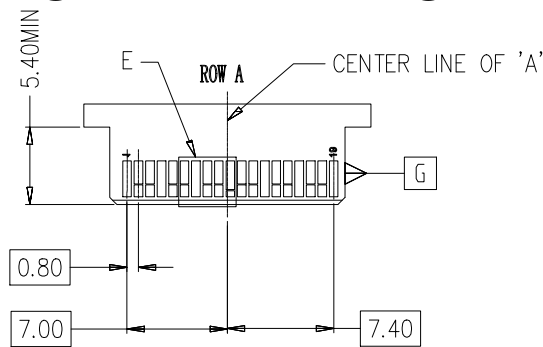
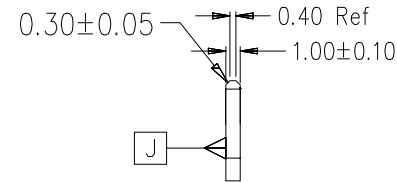
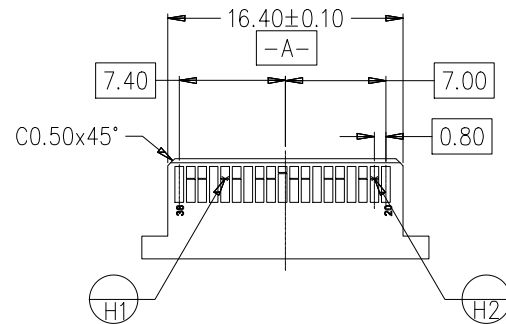
$\frac{C}{5:1}$

For technical support, please send an email to support@vitalconn.com

GENERAL TOLERANCE .X±0.30 .X±1° .XX±0.20 .XX±5° .XXX±0.10		 a vital connector company		FOR YOUR VITAL CONNECTION	
TITLE:		QSFP+28G 1X1 CONNECTOR			
DRAWN BY:	Zou Long	PART NO:	S5C21H0A00BA4	REV: A	
CHECKED BY:	Bob	SIZE: A4	UNIT:mm	SHEET:2 OF 5	FCN: A4
APPROVED BY:	QPF	PROJECTION		http://www.vitalconn.com	



7		8	
REV:	ECN. NO.	NAME	DATE



NOTES:

- DATUM G- DEFINED BY CENTERLINE OF PADDLE CARD WIDTH
- DATUM H- DEFINED BY LEADING EDGE OUTER MOST OF THIRD MATE CONTACTS (PADS)
-TO BE RE-ESTABLISHED ON EACH SIDE
- DATUM J- DEFINED BY TOP SURFACE OF PADDLE CARD
NO SOLDER MASK WITHIN 0.05 OF ALL DEFINED CONTACT PAD EDGES
NO SOLDER MASK BETWEEN END END CONTACTS AND THE SIDE EDGES OF THE PADDLE CARD

GENERAL TOLERANCE	
.X±0.30	.X±1°
.XX±0.20	.XX±5°
.XXX±0.10	



FOR YOUR VITAL CONNECTION

TITLE: QSFP+28G 1X1 CONNECTOR

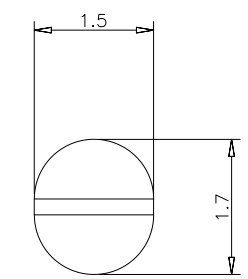
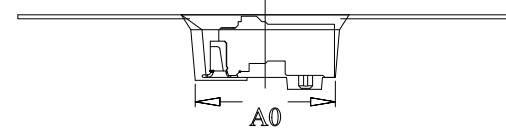
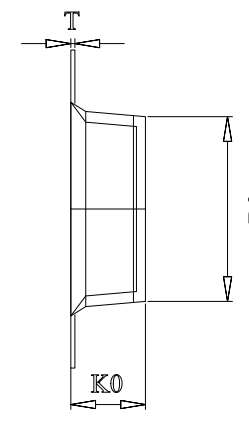
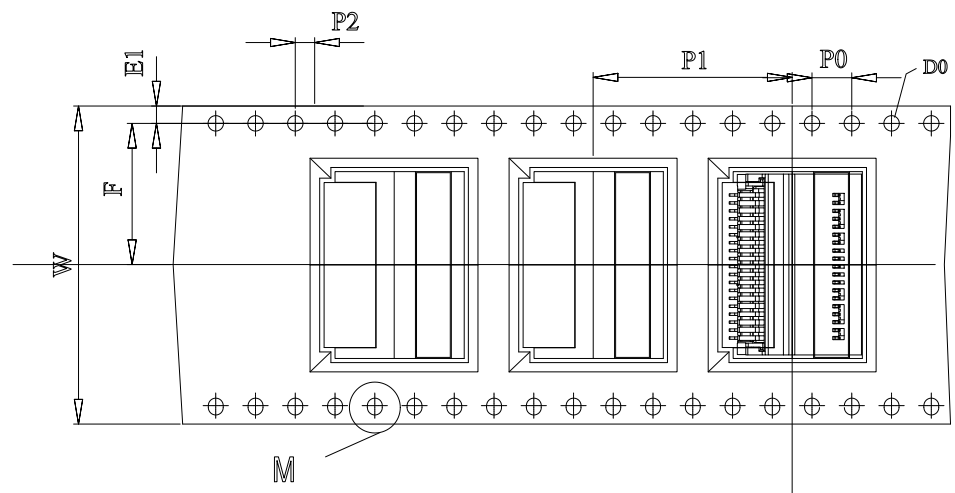
DRAWN BY: Zou Long PART NO: S5C21H0A00BA4 REV: A

CHECKED BY: Bob SIZE: A4 UNIT:mm SHEET:3 OF 5 FCN: A4

For technical support, please send an email to support@vitalconn.com APPROVED BY: QPF PROJECTION http://www.vitalconn.com



REV:	ECN. NO.	NAME	DATE



M部样图

W ± 0.30	32.00
T ± 0.05	0.40
P1 ± 0.10	20.0
A0 ± 0.10	13.80
B0 ± 0.10	18.30
K0 ± 0.10	7.70
D0 ^{+0.10} / _{-0.0}	1.50
D1 ± 0.10	
F ± 0.10	14.20
E1 ± 0.10	1.75
P0 ± 0.10	4.00
P2 ± 0.10	2.00

- 任意10个扣链齿轮孔的累计误差不超过±0.20mm;
- 材料厚度以载带边缘测量为准;
- 载带长度方向250mm距离的非平行度不得超过1mm;
- 未注公差为: ±0.1mm.
- 未注脱模斜度为: 5°.
- 所有尺寸符合EIA-481-B版本.
- 材料: 黑色 PS(聚暉)
- 卷轮: 13"4"分体卷轮, 载带长度: 4.896 M/卷.
- 包装颗数: 400PCS/卷

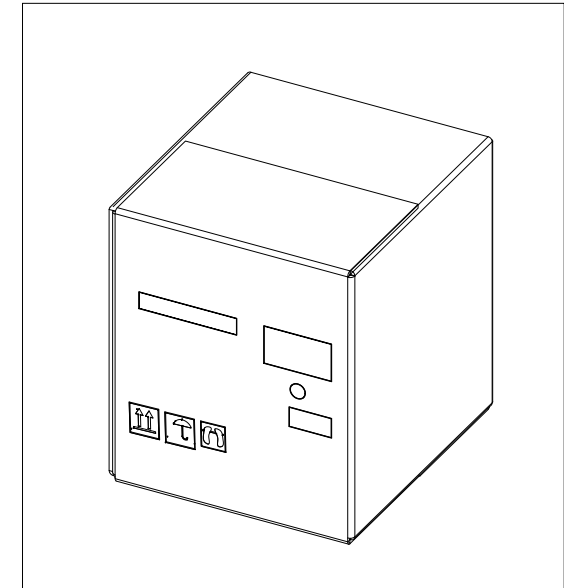
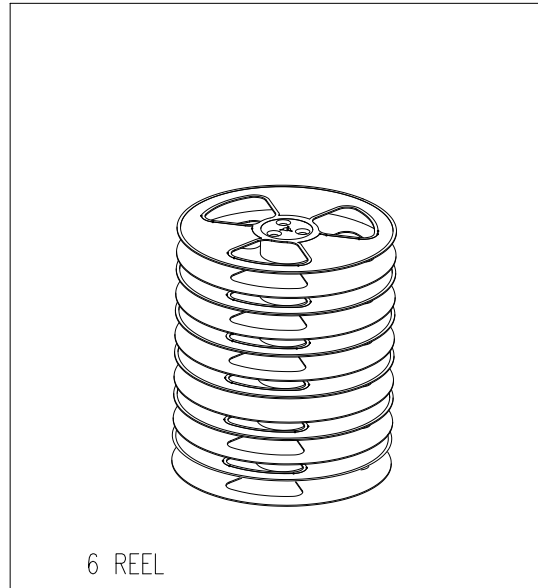
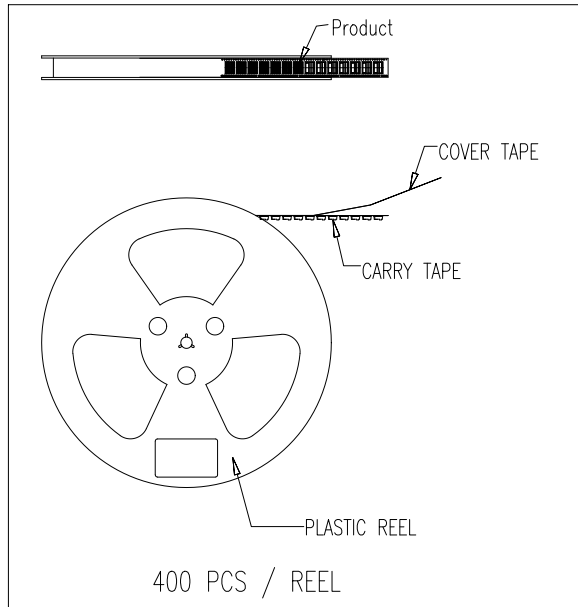
For technical support, please send an email to support@vitalconn.com

GENERAL TOLERANCE .X±0.30 .X±1° .XX±0.20 .XX±5° .XXX±0.10		VITALCONN a vital connector company		FOR YOUR VITAL CONNECTION	
DRAWN BY: Zou Long		TITLE: QSFP+28G 1X1 CONNECTOR		PART NO: S5C21H0A00BA4	
CHECKED BY: Bob		SIZE: A4		UNIT:mm	
APPROVED BY: QPF		PROJECTION		SHEET:4 OF 5	
		FCN: A4		http://www.vitalconn.com	



7		8	
REV:	ECN. NO.	NAME	DATE

PACKAGE INFORMATION AND LABEL



PACKING QUANTITY : 400 PCS FINISHED GOODS PER REEL.

6 REEL (2400 PCS FINISHED GOODS) PER CARTON BOX.

GENERAL TOLERANCE .X±0.30 .X±1° .XX±0.20 .XX±5° .XXX±0.10		VITALCON a vital connector company		FOR YOUR VITAL CONNECTION	
DRAWN BY: Zou Long		TITLE: QSFP+28G 1X1 CONNECTOR		REV: A	
CHECKED BY: Bob		PART NO: S5C21H0A00BA4		FCN: A4	
APPROVED BY: QPF		SIZE: A4		UNIT:mm	
		PROJECTION		SHEET:5 OF 5	
				http://www.vitalconn.com	

For technical support, please send an email to support@vitalconn.com