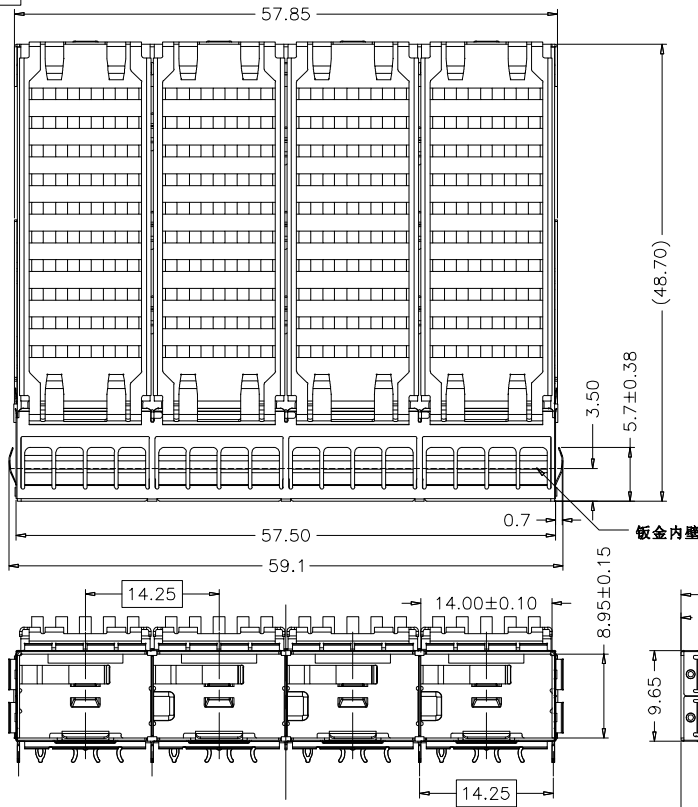
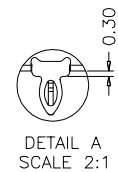
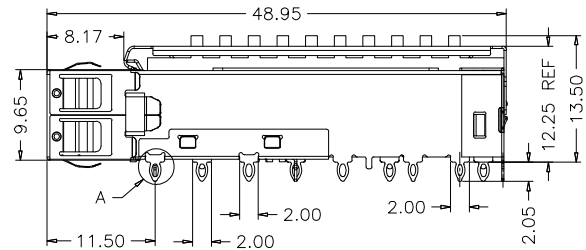
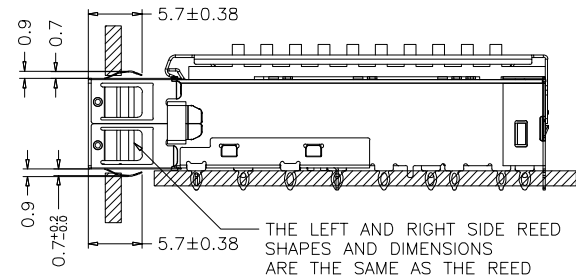




REV:	ECN. NO.	NAME	DATE



- NOTES:
 1.MATERIAL:
 CAGE: COPPER ALLOY, THICKNESS 0.25mm
 HEAT SINK : ALUMINUM(SURFACE TREATMENT:
 BLACK OXIDE)
 CLIP: STAINLESS STEEL
 2.PACKAGING: TRAY PACKAGING
 3.TEMPERATURE RANGE: -55°C TO +85°C



TOLERANCE UNSPECIFIED	
.0	±0.38
.00	±0.25
.000	±0.10
ANGLE	±2.00°
MANUFACTURING COPY	



FOR YOUR VITAL CONNECTION

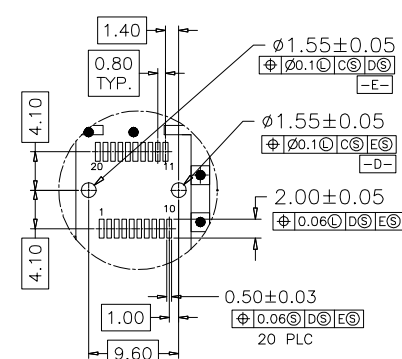
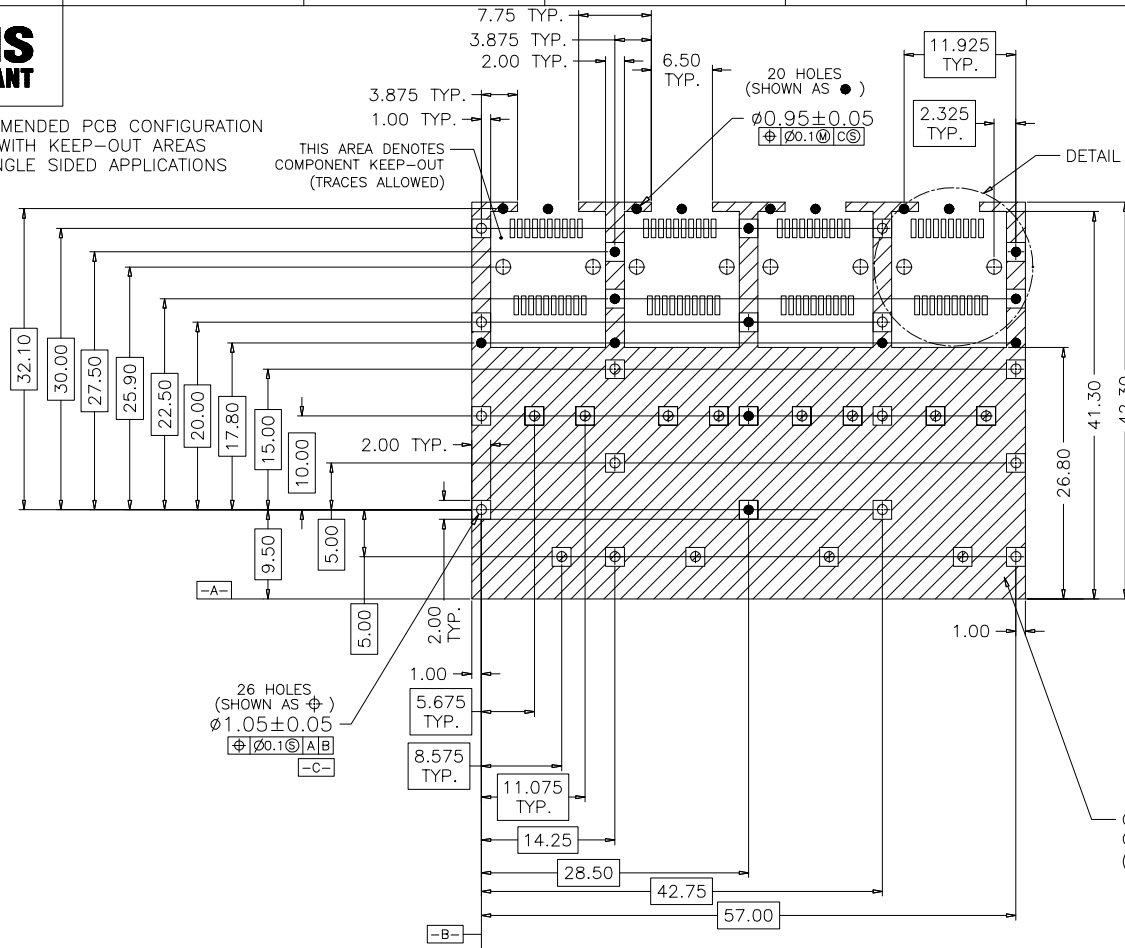
TITLE:		SFP+ 1X4 CAGE,WITH HEAT SINK		
DRAWN BY:	QSY	PART NO:	S2N3400252NA4	REV: A
CHECKED BY:	VIT	SIZE: A4	UNIT:mm	SHEET: 1 OF 4 FCN: A4
APPROVED BY:	QPF	PROJECTION		http://www.vitalconn.com

For technical support, please send an email to support@vitalconn.com



RECOMMENDED PCB CONFIGURATION
WITH KEEP-OUT AREAS
SINGLE SIDED APPLICATIONS

THIS AREA DENOTES
COMPONENT KEEP-OUT
(TRACES ALLOWED)



DETAIL H
RECOMMENDED CONNECTOR LAYOUT
4X INDIVIDUALLY

CROSS-HATCHED AREA DENOTES
COMPONENT AND TRACE KEEP-OUT
(EXCEPT CHASSIS GROUND)

REV:	ECN. NO.	NAME	DATE

TOLERANCE UNSPECIFIED	
.0	±0.38
.00	±0.25
.000	±0.10
ANGLE	±2.00°
MANUFACTURING COPY	



FOR YOUR
VITAL CONNECTION

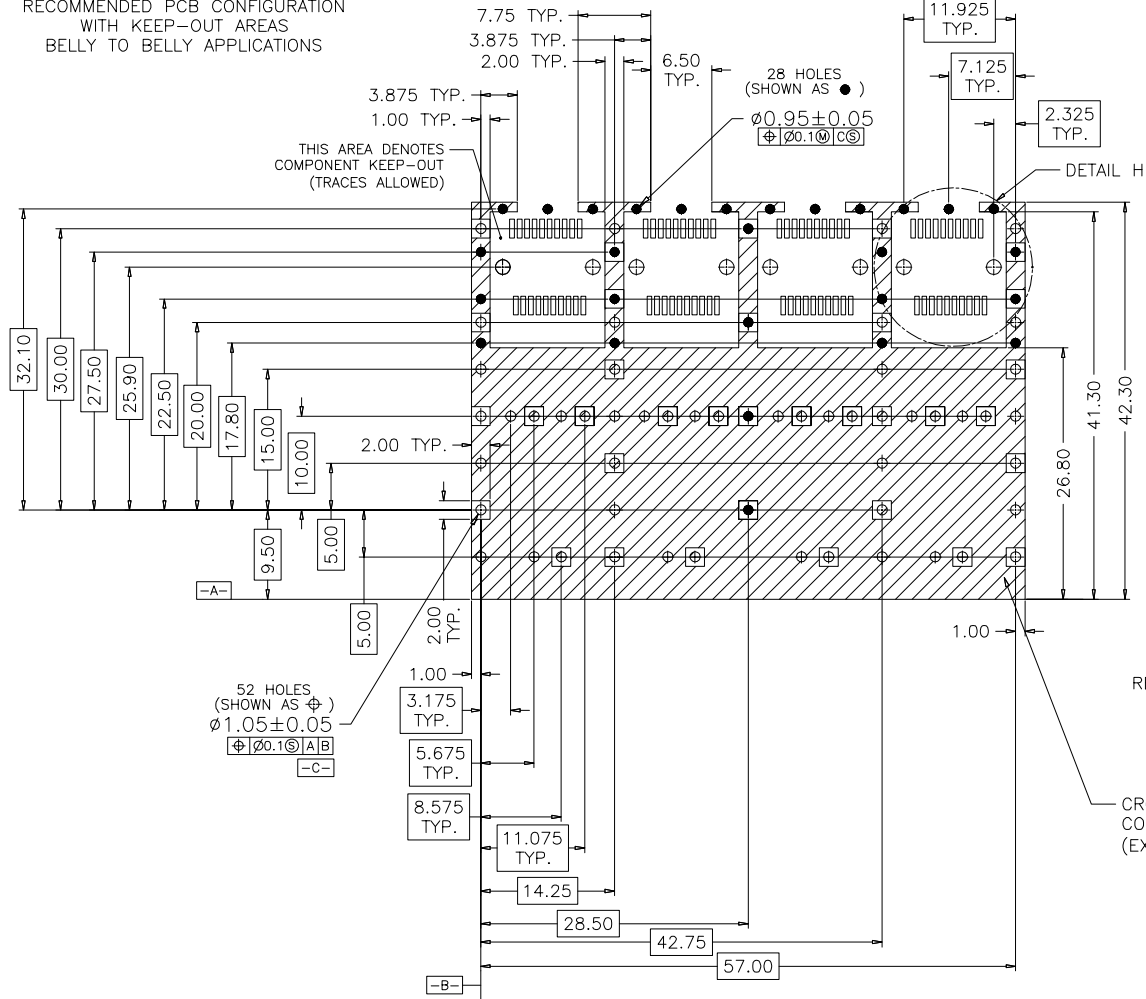
TITLE:	SFP+ 1X4 CAGE, WITH HEAT SINK		
--------	-------------------------------	--	--

DRAWN BY:	QSY	PART NO:	S2N3400252NA4	REV: A
CHECKED BY:	VIT	SIZE: A4	UNIT: mm	SHEET: 2 OF 4 FCN: A4
APPROVED BY:	QPF	PROJECTION		http://www.vitalconn.com

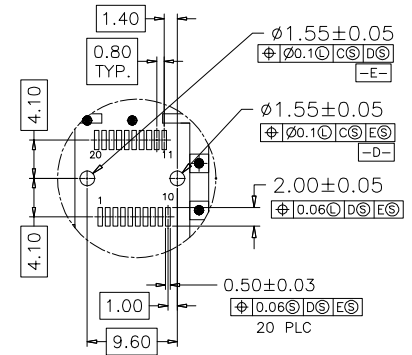
For technical support, please send an email to support@vitalconn.com



RECOMMENDED PCB CONFIGURATION
WITH KEEP-OUT AREAS
BELLY TO BELLY APPLICATIONS



REV:	ECN. NO.	NAME	DATE



DETAIL H
RECOMMENDED CONNECTOR LAYOUT
8X INDIVIDUALLY

CROSS-HATCHED AREA DENOTES
COMPONENT AND TRACE KEEP-OUT
(EXCEPT CHASSIS GROUND)

TOLERANCE UNSPECIFIED	
.0	±0.38
.00	±0.25
.000	±0.10
ANGLE	±2.00°
MANUFACTURING COPY	



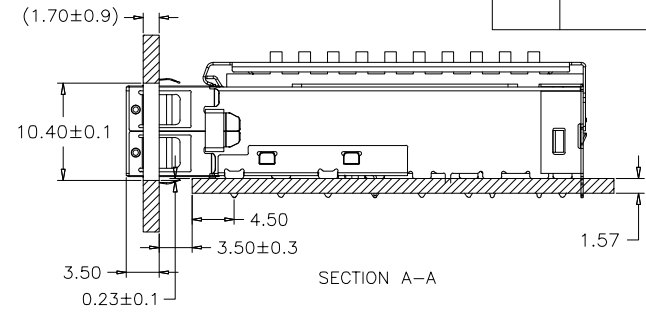
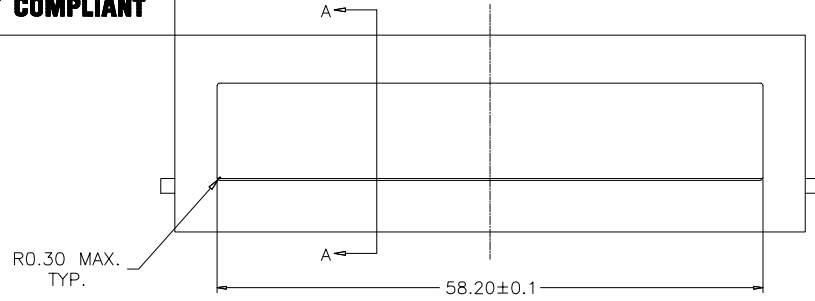
FOR YOUR
VITAL CONNECTION

TITLE:		SFP+ 1X4 CAGE, WITH HEAT SINK	
DRAWN BY:	QSY	PART NO:	S2N3400252NA4
CHECKED BY:	VIT	SIZE: A4	UNIT: mm
APPROVED BY:	QPF	PROJECTION	SHEET: 3 OF 4
			FCN: A4
			http://www.vitalconn.com

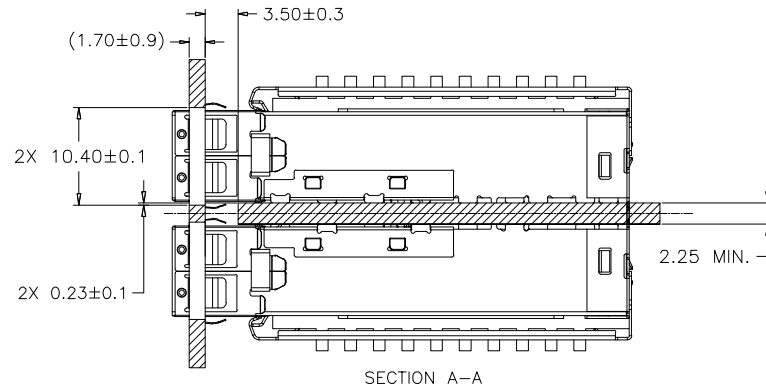
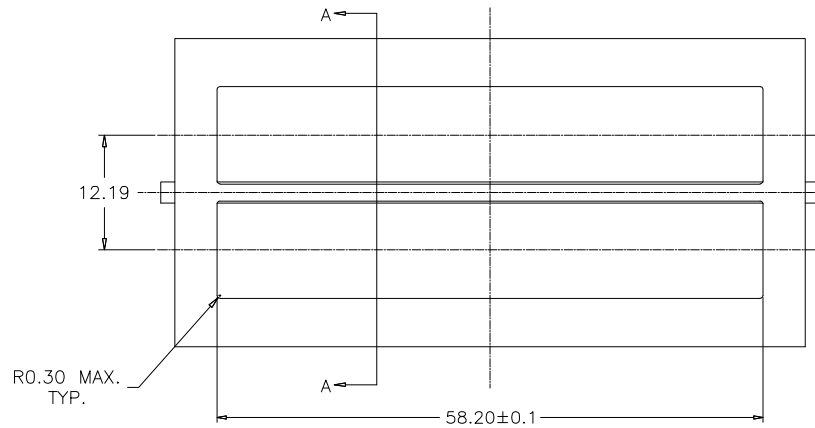
For technical support, please send an email to support@vitalconn.com



7	8
REV:	ECN. NO.
NAME	DATE



RECOMMENDED BEZEL DESIGN
SINGLE SIDED APPLICATIONS



RECOMMENDED BEZEL DESIGN
BELLY TO BELLY APPLICATIONS

For technical support, please send an email to support@vitalconn.com

TOLERANCE UNSPECIFIED	
.0	±0.38
.00	±0.25
.000	±0.10
ANGLE	±2.00°
MANUFACTURING COPY	



FOR YOUR
VITAL CONNECTION

TITLE:		SFP+ 1X4 CAGE, WITH HEAT SINK	
DRAWN BY:	QSY	PART NO:	S2N3400252NA4
CHECKED BY:	VIT	SIZE: A4	UNIT: mm
APPROVED BY:	QPF	PROJECTION	
REV: A		SHEET: 4 OF 4	
FCN: A4		http://www.vitalconn.com	