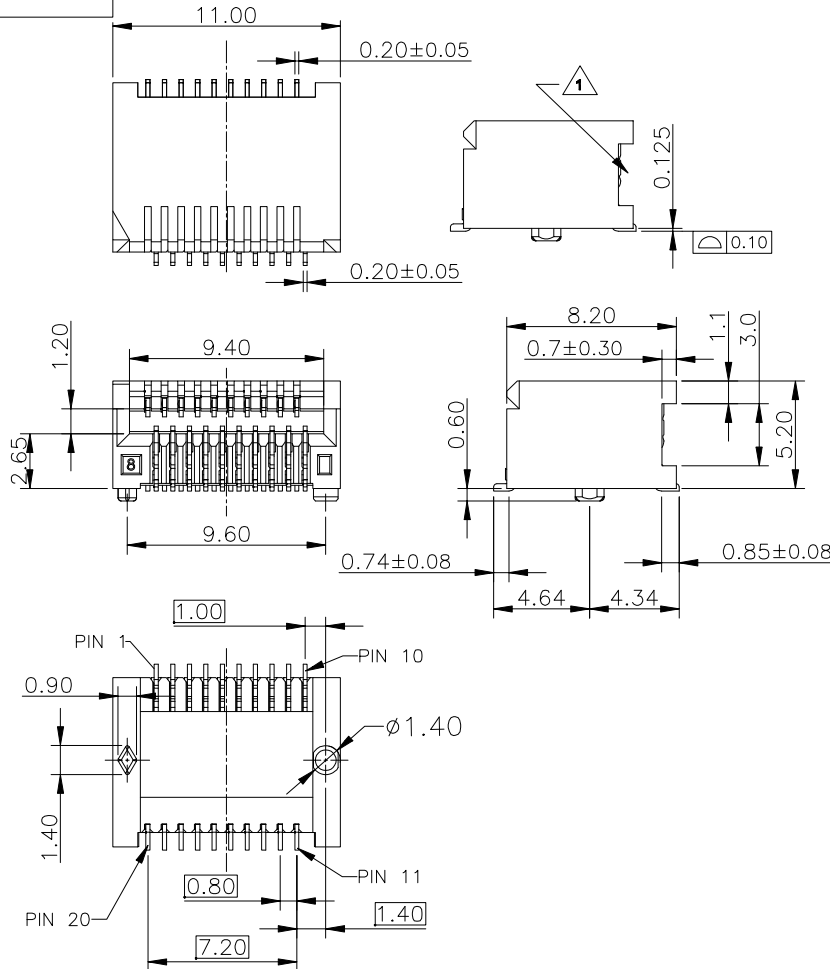




7	8
REV:	ECN. NO.
NAME	DATE



NOTES:

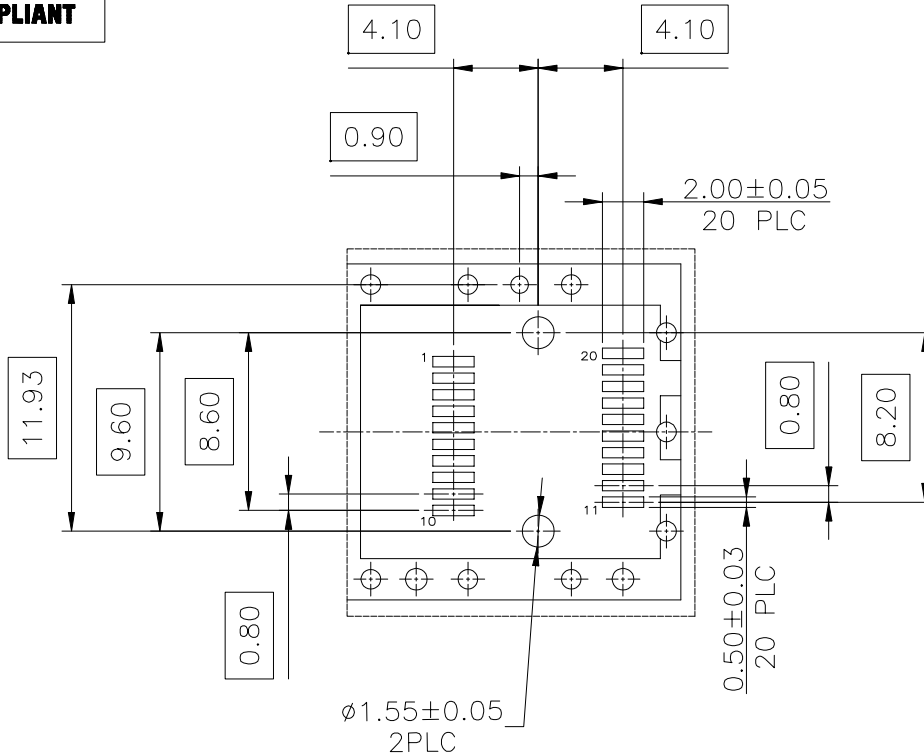
- MATERIAL
HOUSING: HIGH TEMPERATURE LCP, Black, UL94 V-0.
- CONTACTS: PHOSPHOR BRONZE
PLATING :15μ" GOLD ON MATING AREA,
GOLD FLASH PLATING ON
SOLDER TAILS, 50μ" NICKEL
UNDERPLATING OVERALL.
- MECHANICAL REQUIREMENT:
3.1 DURABILITY:100 CYCLES NIN.
3.2 INSERTION AND EXTRACTION FORCE:40N MAX. & 11.5N MAX.
- ENVIRONMENTAL:
4.1 CONTACT RESISTANCE:20 MILLIOHMS MAX INITIAL.
4.2 DIELECTRIC WITHSTANDING VOLTAGE: 300V AC/MIN.
4.3 CURRENT RATING: 0.5 Amps Max.
4.4 OPERATION: -40°C TO +95°C
4.5 STORAGE: -55°C TO +105°C
4.6 REFLOW SOLDERING TEMPERATURE: 255~265° MAXIMUM
FOR 5~10 SECONDS.
4.9 ROHS COMPLIANT
- PACKAGING: TAPE AND REEL

TOLERANCE UNSPECIFIED		 a vital connector company		FOR YOUR VITAL CONNECTION	
.0	±0.38			TITLE: SFP+1*1 CONN	
.00	±0.25	DRAWN BY: QSY		PART NO: S2C2100D00BA4	
.000	±0.10	CHECKED BY: VIT		REV: A	
ANGLE	±2.00°	APPROVED BY: QPF		UNIT:mm	
MANUFACTURING COPY		PROJECTION		SHEET: 1 OF 4	
				FCN: A4	
				http://www.vitalconn.com	

For technical support, please send an email to support@vitalconn.com



7	8
REV:	ECN. NO.
NAME	DATE



TOLERANCE UNSPECIFIED	
.0	± 0.38
.00	± 0.25
.000	± 0.10
ANGLE	$\pm 2.00^\circ$
MANUFACTURING COPY	



FOR YOUR
VITAL CONNECTION

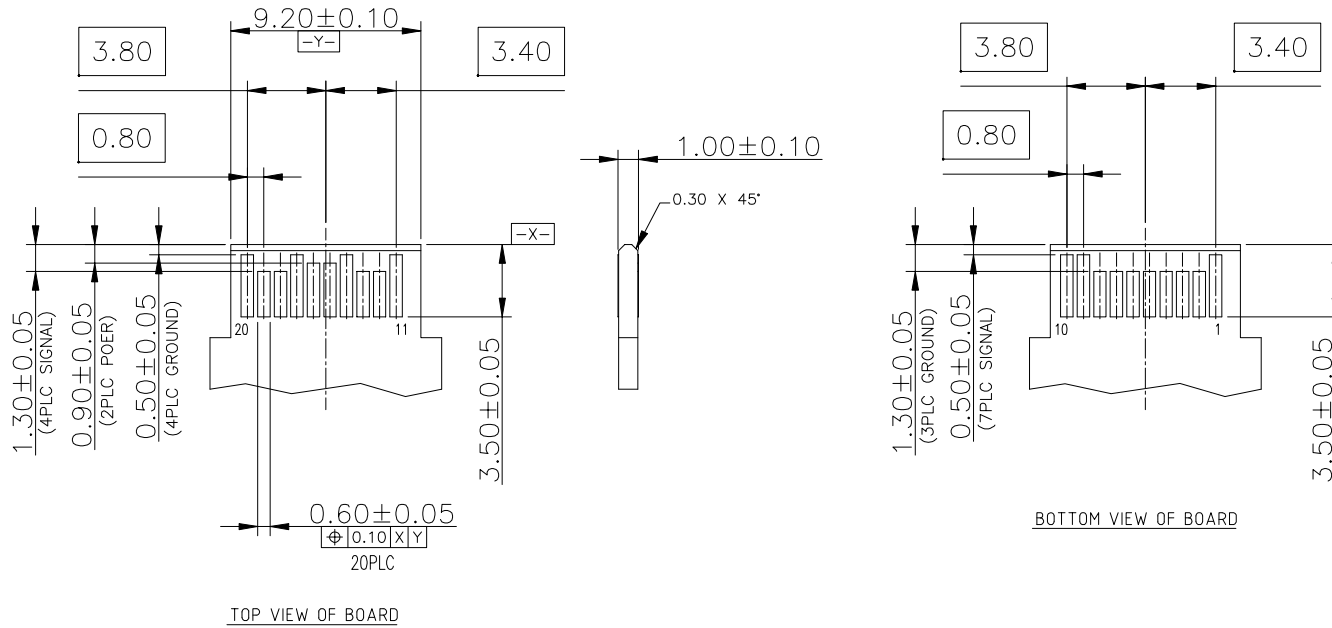
TITLE:		SFP+1*1 CONN	
DRAWN BY:	QSY	PART NO:	S2C2100D00BA4
CHECKED BY:	VIT	SIZE: A4	UNIT:mm
APPROVED BY:	QPF	PROJECTION	http://www.vitalconn.com

For technical support, please send an email to support@vitalconn.com

1 2 3 4 5 6 7 8



REV:	ECN. NO.	NAME	DATE



RECOMMENDED LAYOUT DETAIL MATING TRANSCEIVER PCB

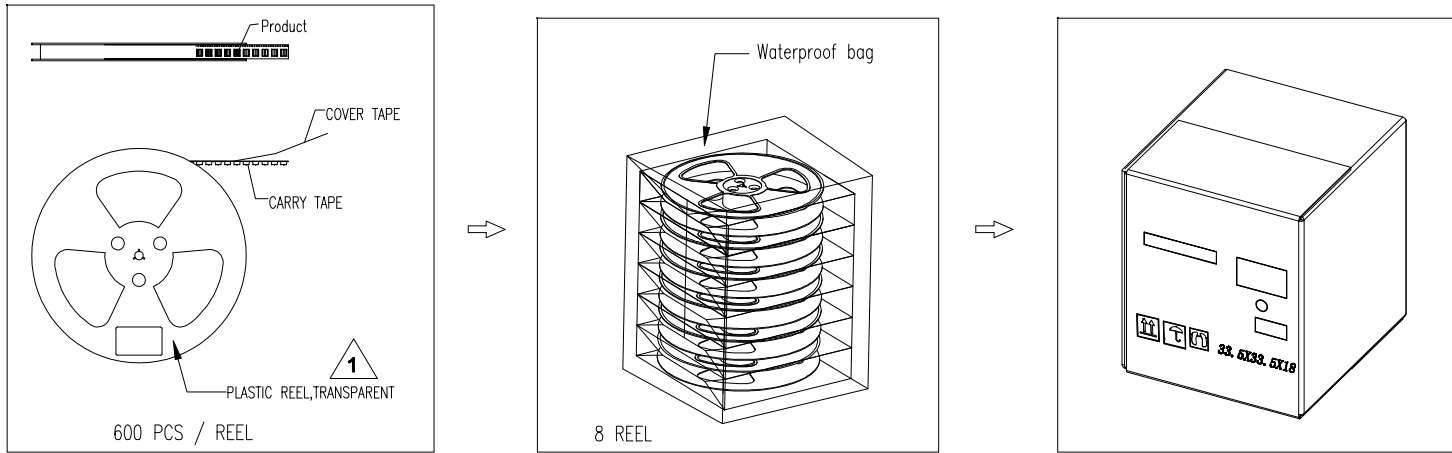
TOLERANCE UNSPECIFIED		 VITALCON a vital connector company		FOR YOUR VITAL CONNECTION	
.0	±0.38			TITLE: SFP+1*1 CONN	
.00	±0.25	DRAWN BY: QSY		PART NO: S2C2100D00BA4	
.000	±0.10	CHECKED BY: VIT		UNIT:mm	
ANGLE	±2.00°	APPROVED BY: QPF		SHEET: 3 OF 4	
MANUFACTURING COPY		PROJECTION		FCN: A4	
				 http://www.vitalconn.com	

For technical support, please send an email to support@vitalconn.com



7	8
REV:	ECN. NO.
NAME	DATE

PACKAGE INFORMATION AND LABEL



PACKING QUANTITY : 600 PCS FINISHED GOODS PER REEL.

8 REEL (4800 PCS FINISHED GOODS) PER CARTON BOX.

TOLERANCE UNSPECIFIED		 VITALCON a vital connector company		FOR YOUR VITAL CONNECTION	
.0	±0.38			TITLE: SFP+1*1 CONN	
.00	±0.25	DRAWN BY: QSY	PART NO: S2C2100D00BA4	REV: A	
.000	±0.10	CHECKED BY: VIT	SIZE: A4	UNIT:mm	SHEET: 4 OF 4
ANGLE	±2.00°	APPROVED BY: QPF	PROJECTION		FCN: A4
MANUFACTURING COPY				http://www.vitalconn.com	

For technical support, please send an email to support@vitalconn.com