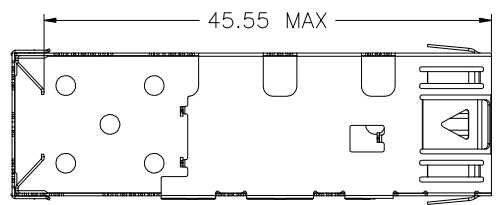
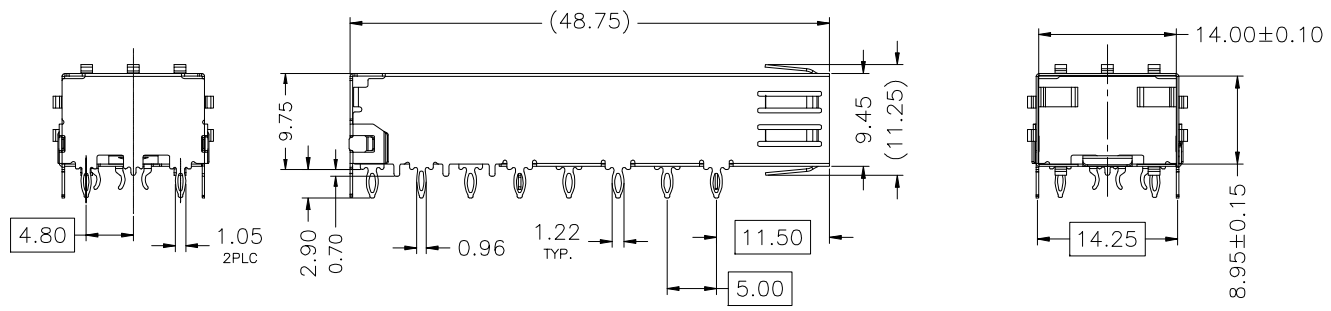
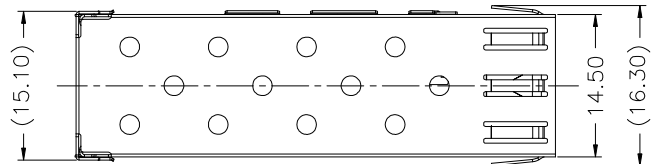




7	8
REV:	ECN. NO.
NAME	DATE



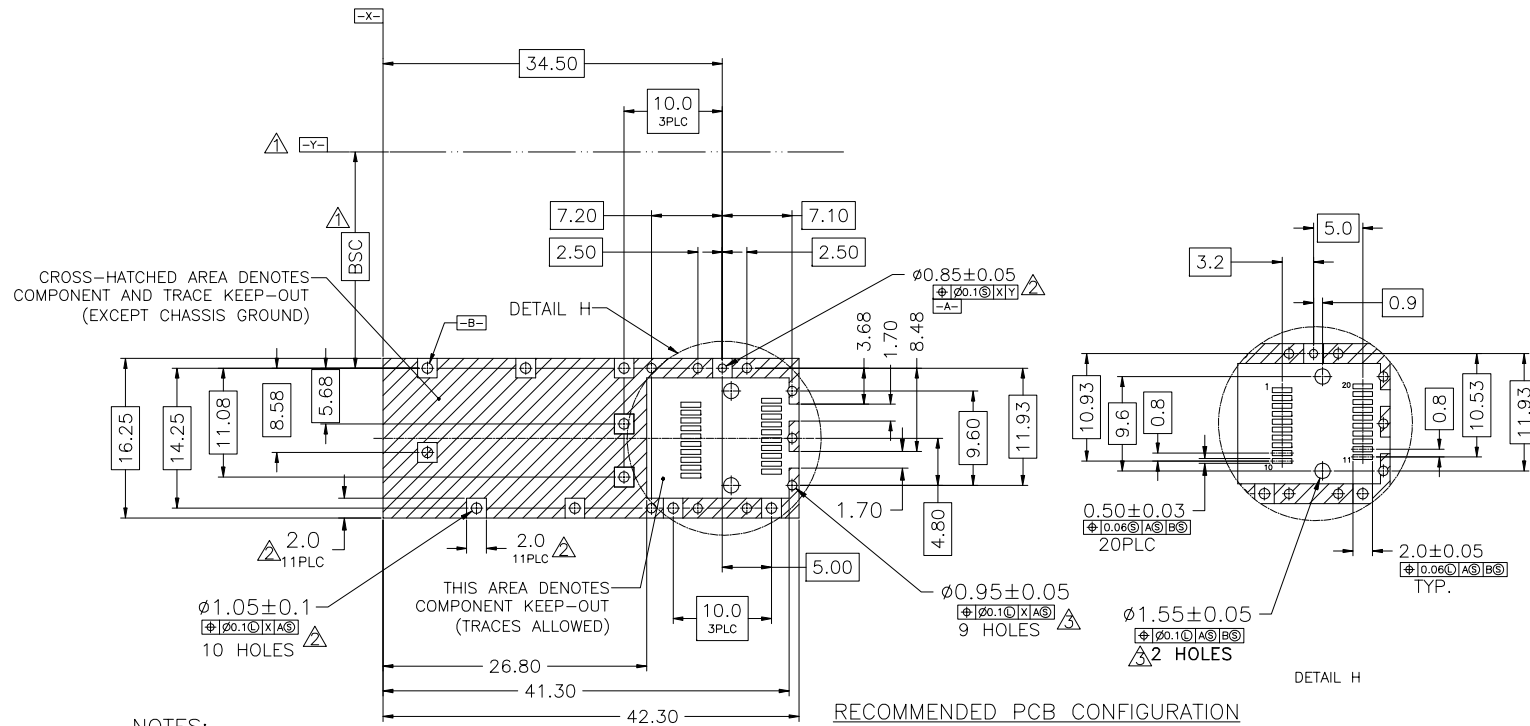
- NOTES:
- 1.MATERIAL: COPPER ALLOY, NI-PLATED
  - 2.PACKAGING: TRAY PACKAGING
  - 3.TEMPERATURE RANGE: -55°C TO +85°C

TOLERANCE UNSPECIFIED				FOR YOUR VITAL CONNECTION	
.0	±0.38			TITLE:	
.00	±0.25	DRAWN BY: QSY		PART NO: S1N31Y5100NA4	
.000	±0.10	CHECKED BY: VIT		REV: A	
ANGLE	±2.00°	APPROVED BY: QPF		UNIT:mm	
MANUFACTURING COPY		PROJECTION		SHEET: 1 OF 4	
				FCN: A4	
				<a href="http://www.vitalconn.com">http://www.vitalconn.com</a>	

For technical support, please send an email to [support@vitalconn.com](mailto:support@vitalconn.com)



REV:	ECN. NO.	NAME	DATE



NOTES:

- 1 DATUM AND BASIC DIMENSIONS ESTABLISHED BY CUSTOMER
- 2 PADS AND VIAS ARE CHASSIS GROUND, 11 PLACES
- 3 THRU HOLES, PLATING OPTIONAL

RECOMMENDED PCB CONFIGURATION

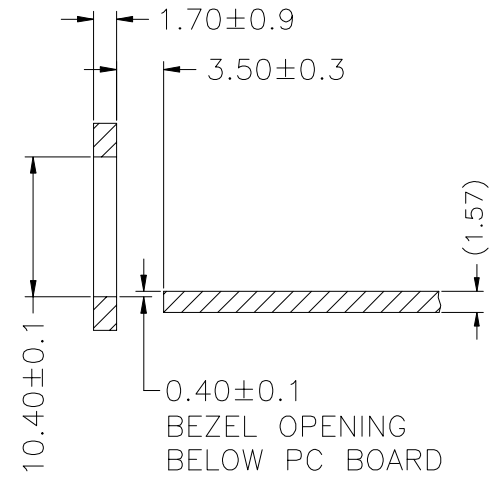
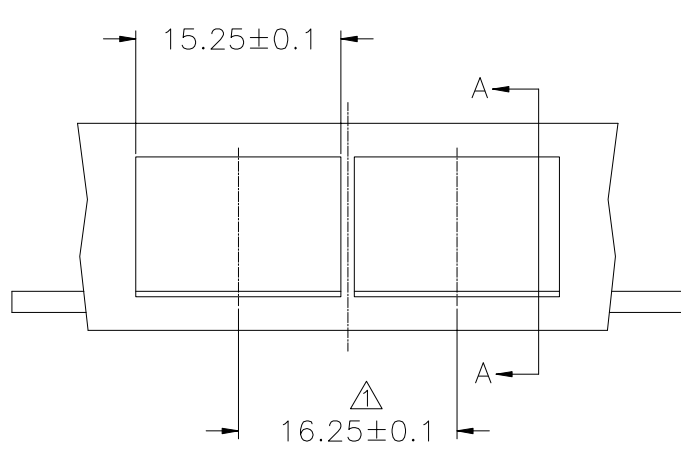
TOLERANCE UNSPECIFIED		<b>VITALCONN</b> a vital connector company		FOR YOUR VITAL CONNECTION	
.0	±0.38	TITLE:		SFP 1X1 CAGE	
.00	±0.25	DRAWN BY: QSY		PART NO: S1N31Y5100NA4	
.000	±0.10	CHECKED BY: VIT		REV: A	
ANGLE	±2.00°	APPROVED BY: QPF		SIZE: A4	
MANUFACTURING COPY		PROJECTION		UNIT:mm	
				SHEET: 2 OF 4	
				FCN: A4	
				http://www.vitalconn.com	

For technical support, please send an email to support@vitalconn.com

1 2 3 4 5 6 7 8



7	8
REV:	ECN. NO.
NAME	DATE



SECTION A-A

RECOMMENDED BEZEL DESIGN

NOTES:  
 ▲ MINIMUM PITCH ILLUSTRATED, ENGLISH DIMENSIONS ARE FOR REFERENCE ONLY

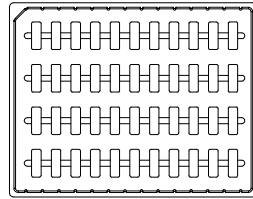
TOLERANCE UNSPECIFIED				FOR YOUR VITAL CONNECTION	
.0	±0.38			TITLE:	
.00	±0.25	DRAWN BY: QSY		PART NO: S1N31Y5100NA4	
.000	±0.10	CHECKED BY: VIT		REV: A	
ANGLE	±2.00°	APPROVED BY: QPF		SIZE: A4	
MANUFACTURING COPY		PROJECTION		UNIT:mm	
				SHEET: 3 OF 4	
				FCN: A4	
				<a href="http://www.vitalconn.com">http://www.vitalconn.com</a>	

For technical support, please send an email to [support@vitalconn.com](mailto:support@vitalconn.com)

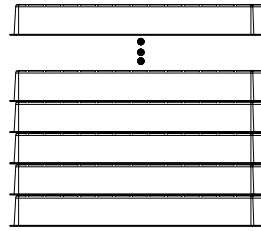


REV:	ECN. NO.	NAME	DATE

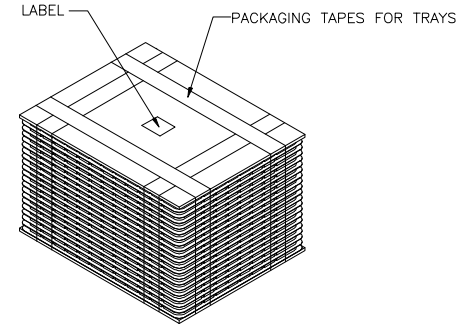
PACKAGE INFORMATION AND LABEL



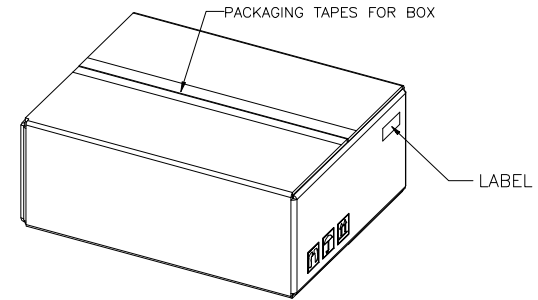
1. PRODUCTS IN TRAYS



2. TRAYS OVERLAY:  
(THE NEXT TRAY NEED ROTATE 180 DEGREE AND PUT IT ON PREVIOUS TRAY.)  
(相邻两个托盘间水平方向成180度摆放)



3. LABEL & PACKAGING TAPES FOR TRAYS:



4. LABEL & PACKAGING TAPES FOR BOX

PACKAGING LISTS	
ITEM	Q'TY
PRODUCT	352 PCS
TRAY	8 PCS
BOX(L340*W265*H200MM)	1 PCS
LABLE	2 PCS
PACKAGING TAPES	8 M (ABOUT)

TOLERANCE UNSPECIFIED		 <b>VITALCON</b> a vital connector company		FOR YOUR VITAL CONNECTION	
.0	±0.38			TITLE:	
.00	±0.25	DRAWN BY:		REV: A	
.000	±0.10	CHECKED BY:		FCN: A4	
ANGLE	±2.00°	APPROVED BY:		PROJECTION	
MANUFACTURING COPY		QSY			
		QPF		<a href="http://www.vitalconn.com">http://www.vitalconn.com</a>	

For technical support, please send an email to [support@vitalconn.com](mailto:support@vitalconn.com)